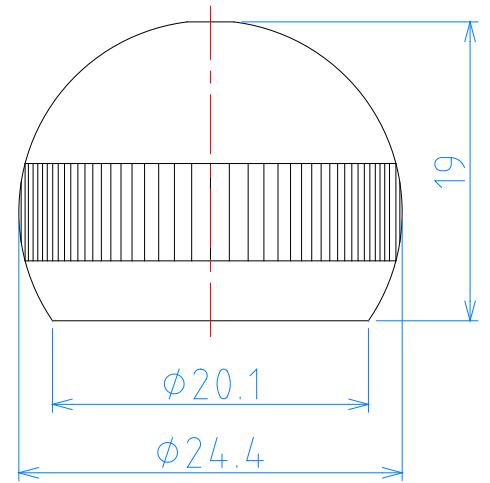
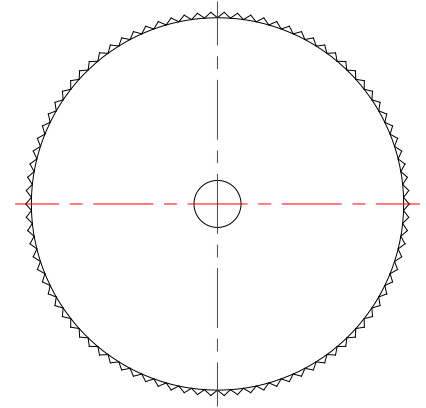
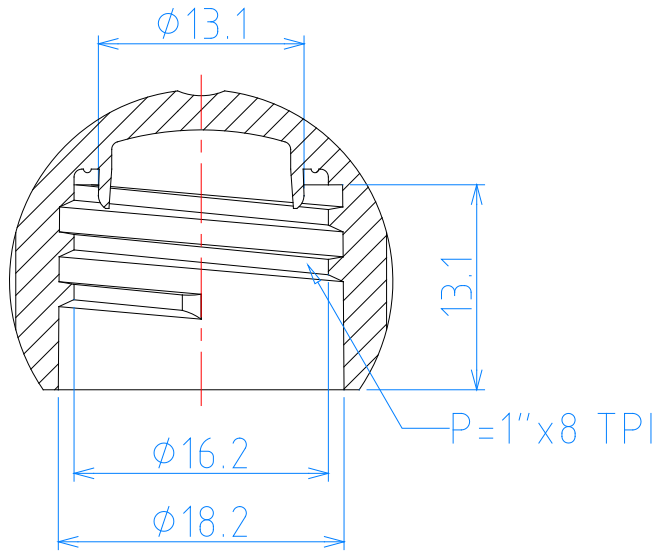
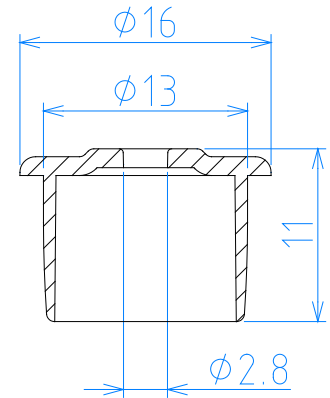
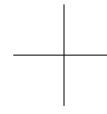
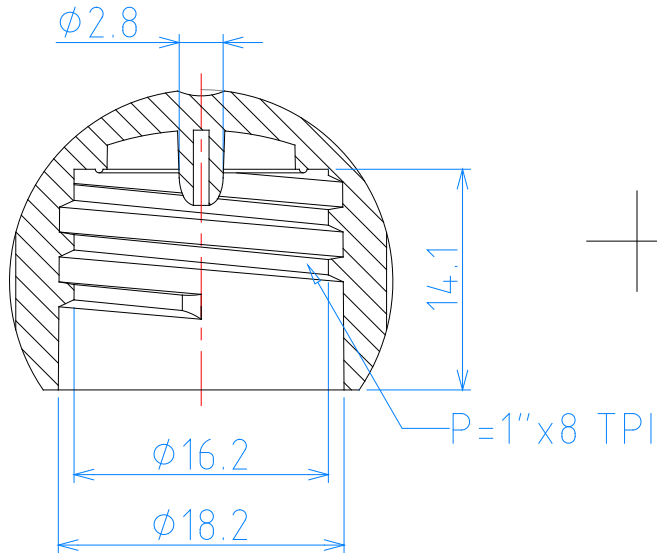


1. Seal



2. Plug



Drawn By	Doris	Date	03/09/05	Description	Dome Cap
 LIVING FOUNTAIN PLASTIC INDUSTRIAL CO., LTD. TEL: 886-4-24966688	Specification	φ18mm			
	Material	PP			
	Item				