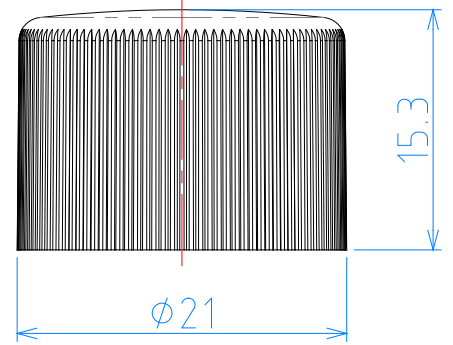
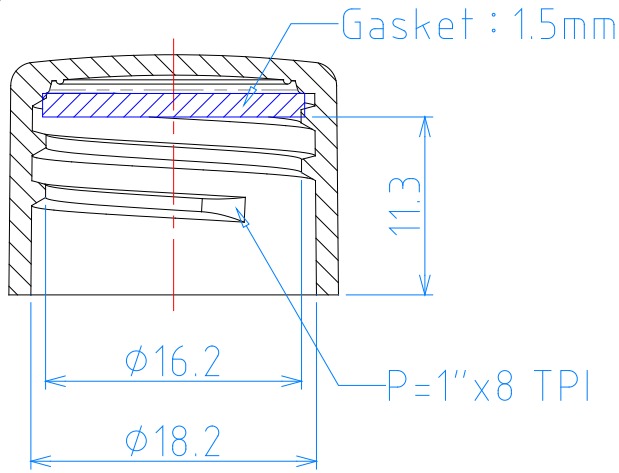
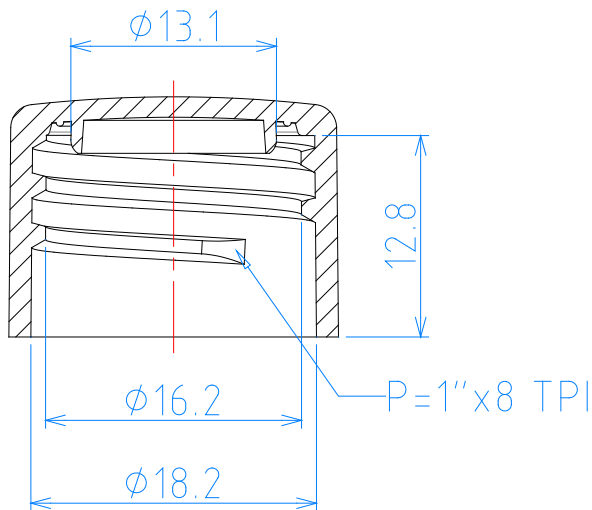


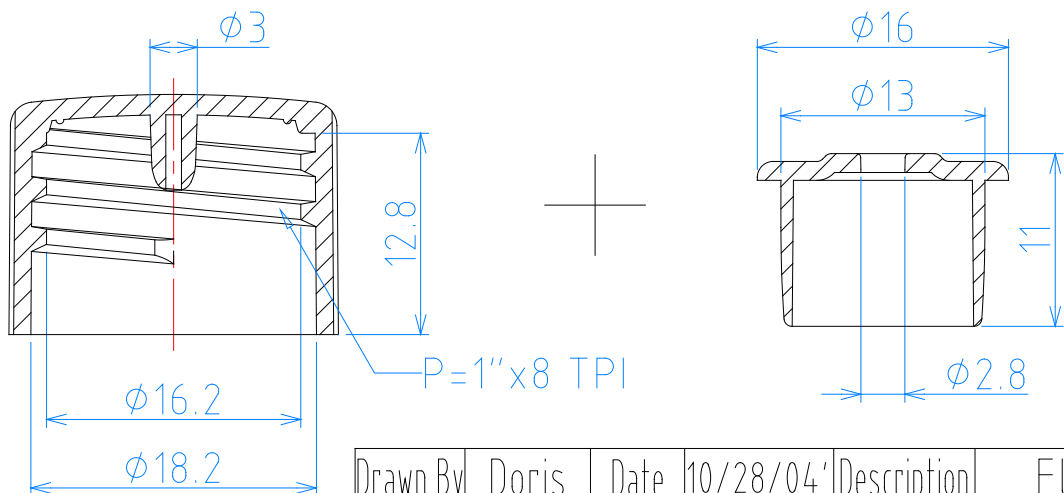
1. Gasket



2. Seal



3. Plug



Drawn By	Doris	Date	10/28/04	Description	Flat Cap
 LIVING FOUNTAIN PLASTIC INDUSTRIAL CO., LTD. TEL: 886-4-24966688	Specification	$\phi 18\text{mm}/410$ Fine Rib			
	Material	PP			
	Item				