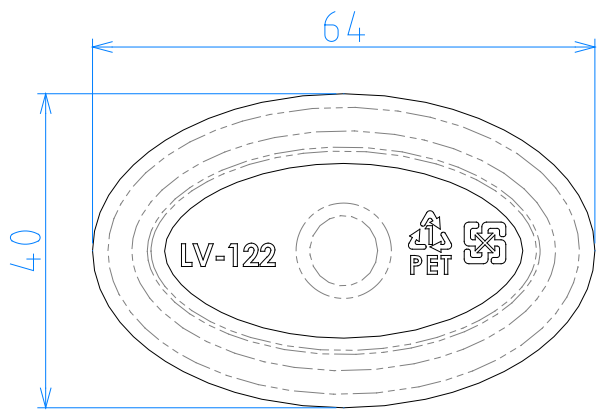
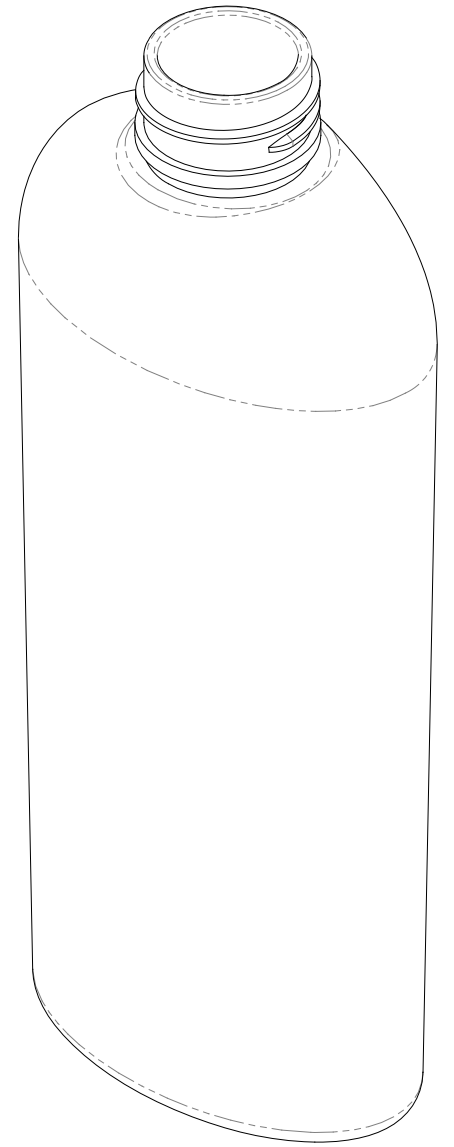


Overflow Line 232ml+5ml

Filling Line 225ml+5ml



Drawn By	Doris	Date	08/05/08	Description	Bottle 225ml
 LIVING FOUNTAIN PLASTIC INDUSTRIAL CO.,LTD. TEL: 886-4-24966688	Specification	$\phi 24\text{mm}/25\text{g}$ $H: 10.85\text{mm}$			
	Material	PET			
	Item	LV-122			